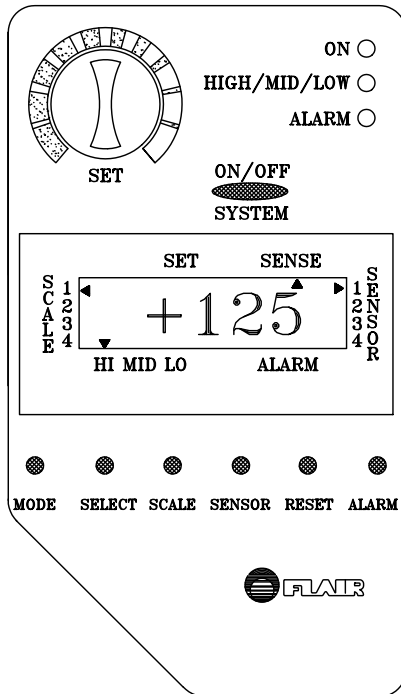


DIGITAL MODULATING SET POINT CONTROLLER *series SPCM*

A universal digital set point controller, monitor and alarm for modulating applications.

BENEFITS & SPECIAL FEATURES

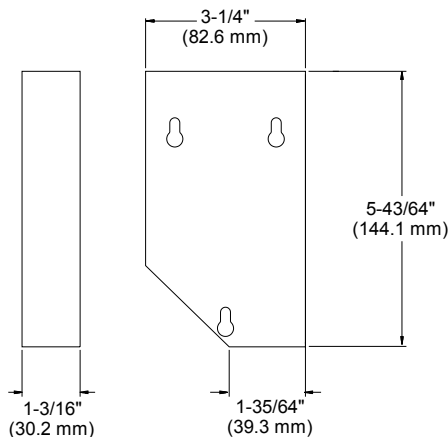
- Adjustable high and low limits, allows adjustable dead band.
- Adjustable scales (linear, logarithmic, and custom mapping).
- May be scaled to operate with a variety of types of sensors over a wide range of values.
- Single pole double throw (SPDT) switching .
- Large easy to read LCD.
- System status indicators.
- Direct or reverse acting.
- Accepts signals from any of up to 4 individual sensors or combination of sensors using an averaging function..
- Low and high limit alarm can activate a dry contact to switch an external control.
- 10 year lithium back up battery.



TYPICAL APPLICATIONS

- Low and high temperature alarms
- Valve and damper control (on/off and 3-point floating)
- Boilers, Furnaces, Burners, Water Heaters, Aquaboosters, Chillers, Refrigeration
- High/Low and two-stage applications
- Line monitoring and control
- Monitor and control temperature, pressure, humidity, flow, voltage, amperage, light level, sound level, rpm, air flow, computer output or any other application whose sensors can generate a 0-10V or 4-20mA output.

DIMENSIONS

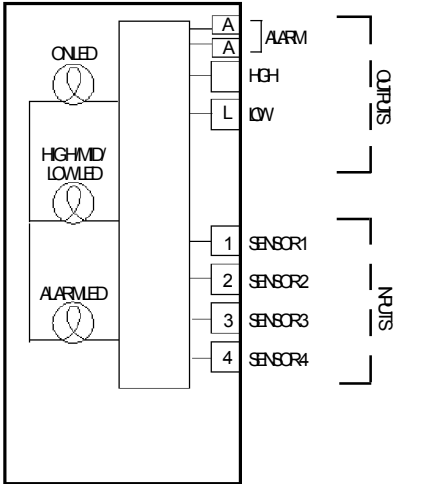


Thermostat

DESCRIPTION

The control points (high and low) are constantly monitored. The difference between high and low set points can be as little as 1 unit of measure or as much as the full range of the connected sensors. One contact is energized above the high set point, one below the low set point. When in the "MID" range, both contacts are off. A second, set of points may be set for an alarm. Once the alarm limits are exceeded in either direction the alarm contact is activated. LED's indicate present status in relation to control points. If an alarm set point is exceeded the alarm LED blinks and remains lit until manually reset. The alarm contact resets automatically when the alarm condition no longer exists. Multiple sensors (4) can be connected for average readings, or any of the individual sensors can be selected.

MODEL NUMBERS AND DESCRIPTIONS FOR VARIOUS APPLICATIONS



Model Number: SPCM
 Description: Digital Modulating Set Point Controller

Switching Current at 24 VAC:
 Alarm: 1 Amp
 High: 1 Amp
 Low: 1 Amp
 Weight: .4 lbs. (880 g)

OPERATING MODES

1. Set high control point.
2. Set low control point.
3. Set contacts for Direct or Reverse acting.
4. Set high alarm point.
5. Set low alarm point.
6. Calibrate/MAP sensor.
7. Select sensor(s).

SPECIFICATIONS

Operating Voltage: 24 vac (-15%, +10%, 50-60 Hz)
 Sensor System: Any 0-10V or 4-20mA sensor
 Display Range: -999 to +999
 Sensor input range: Dependent on sensor
 Sensor output range: within 0-10V and 4-20mA
 Accuracy: .5% of full scale
 Dead Band: 0 to full range
 Switches:
 Push-button: MODE/SELECT/ F_c /SENSOR/RESET/ALARM
 Rotating: SET TEMPERATURE
 Indicator LED's:
 Power: On/Off (Steady Green)
 Set Point: High (Steady Blue)
 Mid (Flashing Blue)
 Low (Off)
 Alarm: while active (Flashing Red)
 once activated, until reset (Steady Red)
 Display: LCD, 4 character, .5" (1.27 cm) height.
 Dimensions: 5.6 x 2.9 x 1.18 Inches (143.4 x 74.2 x 30.2 mm)
 Weight: .4 lbs. (880 g)
 Material: high impact flame retardent ABS
 Color: matte black

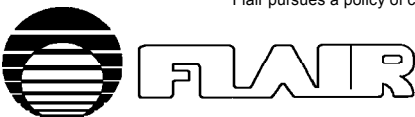
ACCESSORIES

A variety of sensors are available in several ranges for temperature, humidity, pressure, voltage and amperage, sound and light levels. { For part #s and specifications see set point controller sensors page

REFERENCES

For More Information On:	See:
Wiring, jumper, settings and applications	Instruction sheet
Other set point controllers, monitors & sensors	This section
Zone Actuators	Star Actuator section
Zone Valves	Star Valve section
Wiring Panels	Control Panels section
Warranty & pricing	Pricing & Terms section

Flair pursues a policy of constant improvement. For this reason, all specifications are subject to change without notice.



FLAIR INTERNATIONAL CORPORATION

600 Old Willets Path • Hauppauge, New York 11788 • Tel: (516) 234-3600 • Fax: (516) 234-3610